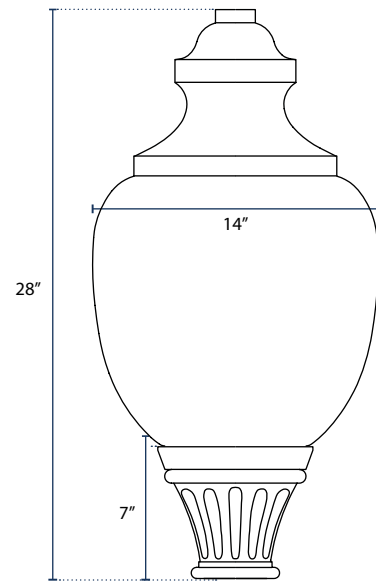


AA
 POST TOP

SPECIFICATIONS
Casting

 Cast Aluminum
 (Globeholder)

Post Top EPA

 0.959 ft²
Mounting

3.1" Inside Diameter

Pole

 Fits all Brandon Industries 3"
 and 4" poles and 5" poles with
 a tenon

Globe

26A Acrylic Acorn

Finish

 Polyester Powder-Coat
 Electrostatically
 Applied & Thermocured

Post Top

 Height: 28"
 Width: 14"

Efficiency

 Integrated LED: 110 lm/W
 Removable LED Bulb: 120-140 lm/W

ORDERING

POST TOP	LAMP TYPE	OPTICS	WATTAGE	VOLTAGE	CCT	MOUNTING	FINISH
AA				SV		POLE/TENON	
	INT Integrated LED	TYPE V	30W 50W	SV 100-227V	30 3000K 40 4000K 50 5000K		BK Black DB Dark Bronze GN Dark Green VG Verde Green
	CC Removable LED Bulb	TYPE V	18W 27W 36W 54W				
	MED Medium Socket Only MOG Mogul Socket Only	LEAVE BLANK	LEAVE BLANK		PC Photocell 10KV Surge Protection 20KV Surge Protection DIM Dimmable Driver	HSS House Side Shield HV 480V CD Custom Design Including color, decorative Trims, and CCT Available. Contact Factory for Pricing and Lead Times.	
					OPTIONS		

ENERGY CHART

LAMP TYPE	WATTAGE	LUMEN	LM/W
INT	30W	3,300	110lm/w
INT	50W	5,500	110lm/w
CC	18W	2,520	140lm/w
CC	27W	3,800	140lm/w
CC	36W	5,000	140lm/w
CC	54W	7,600	140lm/w