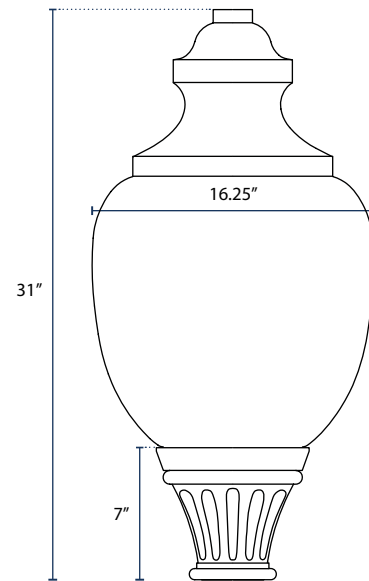


# AC

POST TOP



## SPECIFICATIONS

**Casting**

 Cast Aluminum  
 (Globeholder)

**Fasteners**

Stainless Steel

**Mounting**

3.1" Inside Diameter

**Pole**

 Fits all Brandon Industries 3"  
 and 4" poles and 5" poles with  
 a tenon

**Globe**

27A Acrylic Acorn

**Finish**

 Polyester Powder-Coat  
 Electrostatically  
 Applied & Thermocured

**Post Top**

 LED  
 Height: 31"  
 Width: 16.25"

**Efficiency**

 Integrated LED: 110 lm/W  
 Removable LED Bulb: 120-140 lm/W

**Post Top EPA**

 1.228 ft<sup>2</sup>

## ORDERING

POST TOP	LAMP TYPE	OPTICS	WATTAGE	VOLTAGE	CCT	MOUNTING	FINISH
<b>AC</b>				<b>SV</b>		<b>POLE/TENON</b>	
	<b>INT</b> Integrated LED	<b>TYPE V</b>	<b>30W</b> <b>50W</b>	<b>SV</b> 100-227V	<b>30</b> 3000K <b>40</b> 4000K <b>50</b> 5000K		<b>BK</b> Black <b>DB</b> Dark Bronze <b>GN</b> Dark Green <b>VG</b> Verde Green
	<b>CC</b> Removable LED Bulb	<b>TYPE V</b>	<b>18W</b> <b>27W</b> <b>36W</b> <b>54W</b>				<b>OPTIONS</b>
	<b>MED</b> Medium Socket Only <b>MOG</b> Mogul Socket Only	LEAVE BLANK	LEAVE BLANK				<b>PC</b> Photocell

**ENERGY CHART**

---

LAMP TYPE	WATTAGE	LUMEN	LM/W
INT	30W	3,300	110lm/w
INT	50W	5,500	110lm/w
CC	18W	2,520	140lm/w
CC	27W	3,800	140lm/w
CC	36W	5,000	140lm/w
CC	54W	7,600	140lm/w