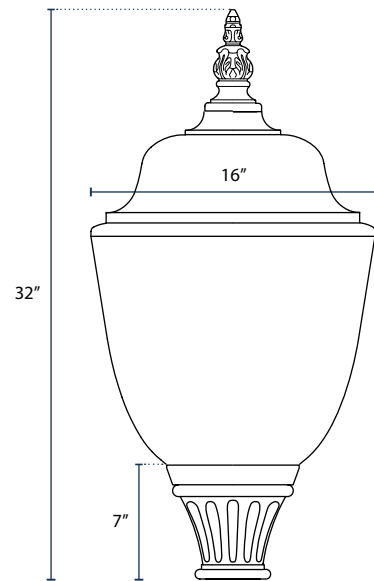


AME2

POST TOP



SPECIFICATIONS

Casting

Die Cast Aluminum
(Globeholder)

LED's

Available Upon Request

Mounting

3.1" Inside Diameter

Pole

Fits all Brandon Industries 3"
and 4" poles and 5" poles with
a tenon

Globe

Type III Prismatic

Finish

Polyester Powder-Coat
Electrostatically
Applied & Thermocured

Post Top

LED
Height: 32"
Width: 16"

Efficiency

120-140 lm/W

Fasteners

Stainless Steel

ORDERING

POST TOP	LAMP TYPE	CCT	WATTAGE	VOLTAGE	OPTICS	MOUNTING	FINISH	OPTIONS
AME2				100-277V	TYPE III	POLE/TENON		
	LED CORN LIGHT	3000K	18W				BK Black	- None
	MEDIUM SOCKET ONLY	4000K	27W				DB Dark Bronze	P Photocell
	MOGUL SOCKET ONLY	5000K	36W				GN Dark Green	
			54W				VG Verde Green	