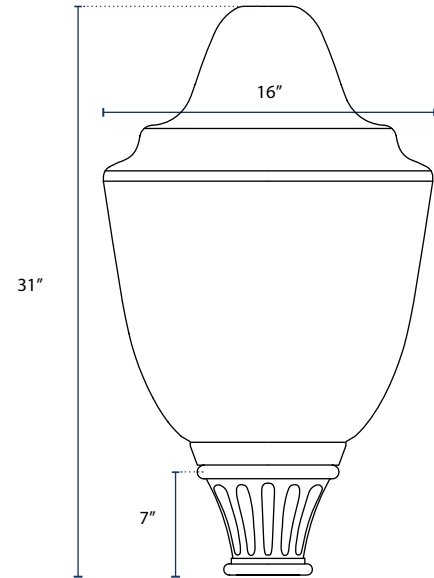


AMG

POST TOP



SPECIFICATIONS

Casting

 Cast Aluminum
 (Globeholder)

Fasteners

Stainless Steel

Mounting

3.1" Inside Diameter

Pole

 Fits all Brandon Industries 3"
 and 4" poles and 5" poles with
 a tenon

Globe

Type III Prismatic

Finish

 Polyester Powder-Coat
 Electrostatically
 Applied & Thermocured

Post Top

 LED
 Height: 31"
 Width: 16"

Efficiency

 Integrated LED: 110 lm/W
 Removable LED Bulb: 120-140 lm/W

Post Top EPA

 1.434 ft²

ORDERING

| POST TOP | LAMP TYPE | OPTICS | WATTAGE | VOLTAGE | CCT | MOUNTING | FINISH |
|------------|---|-----------------|--|--------------------|---|---|---|
| AMG | | | | SV | | POLE/TENON | |
| | INT Integrated LED | TYPE III | 30W 50W | SV 100-227V | 30 3000K 40 4000K 50 5000K | | BK Black DB Dark Bronze GN Dark Green VG Verde Green |
| | CC Removable LED Bulb | TYPE III | 18W 27W 36W 54W | | | | |
| | MED Medium Socket Only MOG Mogul Socket Only | LEAVE BLANK | LEAVE BLANK | | | | |
| | | | | | PC Photocell 10KV Surge Protection 20KV Surge Protection DIM Dimmable Driver | HSS House Side Shield HV 480V CD Custom Design Including color, decorative Trims, and CCT Available. Contact Factory for Pricing and Lead Times. | |
| | | | | | OPTIONS | | |

ENERGY CHART

| LAMP TYPE | WATTAGE | LUMEN | LM/W |
|-----------|---------|-------|---------|
| INT | 30W | 3,300 | 110lm/w |
| INT | 50W | 5,500 | 110lm/w |
| CC | 18W | 2,520 | 140lm/w |
| CC | 27W | 3,800 | 140lm/w |
| CC | 36W | 5,000 | 140lm/w |
| CC | 54W | 7,600 | 140lm/w |