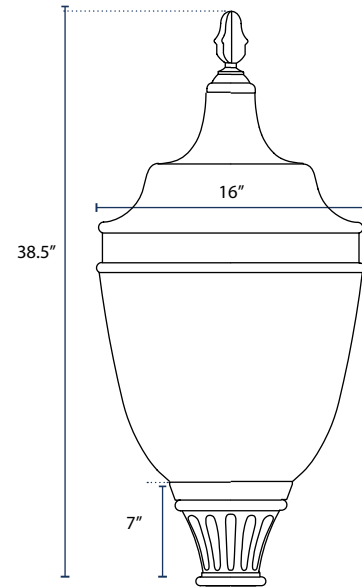


AND1

POST TOP



SPECIFICATIONS

Casting

Die Cast Aluminum
(Globeholder)

Globe

Type V Prismatic

Fasteners

Stainless Steel

LED's

Available Upon Request

Finish

Polyester Powder-Coat
Electrostatically
Applied & Thermocured

Mounting

3.1" Inside Diameter

Post Top

LED
Height: 38.5"
Width: 16"

Pole

Fits all Brandon Industries 3"
and 4" poles and 5" poles with
a tenon

Efficiency

120-140 lm/W

ORDERING

POST TOP	LAMP TYPE	CCT	WATTAGE	VOLTAGE	OPTICS	MOUNTING	FINISH	OPTIONS
AND1				100-277V	TYPE V	POLE/TENON		
	LED CORN LIGHT	3000K	18W				BK Black	- None
	MEDIUM SOCKET ONLY	4000K	27W				DB Dark Bronze	P Photocell
	MOGUL SOCKET ONLY	5000K	36W				GN Dark Green	O Oval Band
			54W				VG Verde Green	