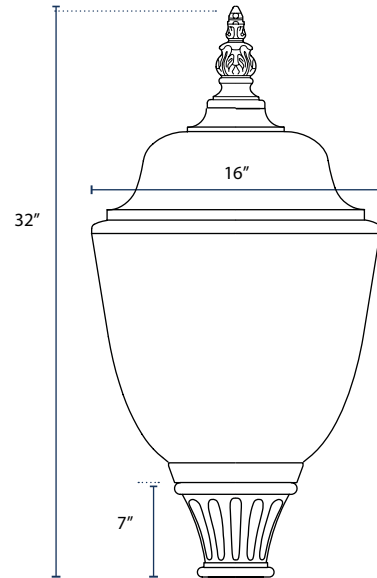


ANE2

POST TOP



SPECIFICATIONS

Casting

 Cast Aluminum
 (Globeholder)

Fasteners

Stainless Steel

Mounting

3.1" Inside Diameter

Pole

 Fits all Brandon Industries 3"
 and 4" poles and 5" poles with
 a tenon

Globe

Type V Prismatic

Finish

 Polyester Powder-Coat
 Electrostatically
 Applied & Thermocured

Post Top

 LED
 Height: 32"
 Width: 16"

Efficiency

 Integrated LED: 110 lm/W
 Removable LED Bulb: 120-140 lm/W

Post Top EPA

 1.322 ft²

ORDERING

POST TOP	LAMP TYPE	OPTICS	WATTAGE	VOLTAGE	CCT	MOUNTING	FINISH
ANE2				SV		POLE/TENON	
	INT Integrated LED	TYPE V	30W 50W	SV 100-277v	30 3000K 40 4000K 50 5000K		BK Black DB Dark Bronze GN Dark Green VG Verde Green
	CC Removable LED Bulb	TYPE V	18W 27W 36W 54W				OPTIONS
	MED Medium Socket Only MOG Mogul Socket Only	LEAVE BLANK	LEAVE BLANK				PC Photocell

ENERGY CHART

LAMP TYPE	WATTAGE	LUMEN	LM/W
INT	30W	3,300	110lm/w
INT	50W	5,500	110lm/w
CC	18W	2,520	140lm/w
CC	27W	3,800	140lm/w
CC	36W	5,000	140lm/w
CC	54W	7,600	140lm/w