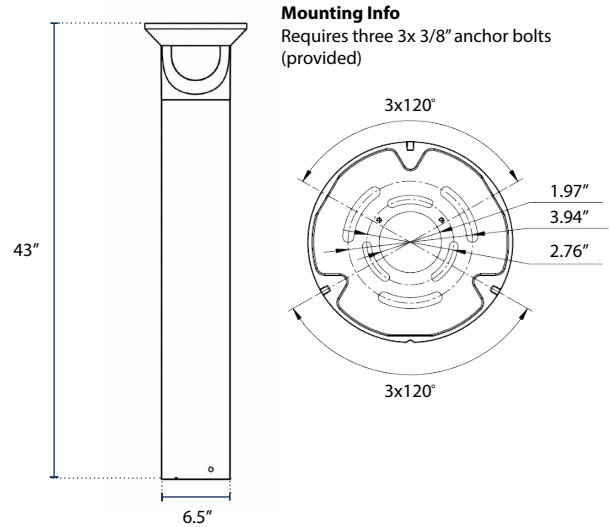


B-SA3W4K

SOLAR BOLLARD



SPECIFICATIONS

Casting

Extruded Aluminum

Finish

Polyester Powder-Coat
 Electrostatically Applied &
 Thermocured

Weight

16 lbs

Color

Black (Consult Factory for
 Alternative Colors)

CRI

>70

Beam Angle

Type V

Warranty

5 years

CCT

4000K

Wattage

3W

Efficiency

130 lm/W

Energy

Solar Panel: 5W

Battery

Capacity: 38 Wh

Autonomy: 48 hrs w/Full Charge

Charging Time: >8 Hours

Working Temp: 0°C to 50°C

Mounting

Qty. (3) 3/8" x 7" Anchor Bolts
 (Provided)

OPERATING SCHEDULE

Working Mode	Lighting Scheme	Time 1	Time 2	Time 3	Time 4	Time 5	Energy Consumption	Rainy Day Working Hours
	1 (Factory Default)	6Hx30%	0Hx100%	0Hx100%	TOTx0%	1Hx30%	7.4Wh	4-5 Days
	2	6Hx30%	6Hx30%	0Hx100%	0Hx0%	0Hx100%	12.6Wh	3-4 Days
	3	6Hx50%	6Hx30%	0Hx100%	0Hx0%	0Hx100%	16.8Wh	2-3 Days
	4	4Hx70%	4Hx30%	4Hx30%	0Hx0%	0Hx100%	18.2Wh	1-2 Days
	5	4Hx100%	2Hx50%	0Hx100%	0Hx0%	0Hx100%	17.5Wh	2-3 Days
	6	2Hx50%	4Hx30%	0Hx100%	TOTx20%	1Hx30%	12.3Wh	3-4 Days
	7	4Hx80%	2Hx30%	0Hx100%	TOTx0%	1Hx80%	16.1Wh	2-3 Days