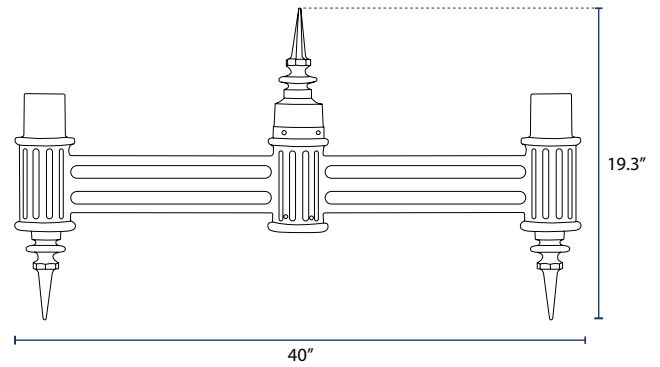


DPA-HP

ARM



SPECIFICATIONS

Size

Height: 19.3"
Width: 40"

Fits

All Brandon Industries
4" poles and 5" poles

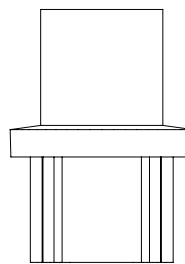
Finish

Polyester Powder-Coat
Electrostatically
Applied & Thermocured

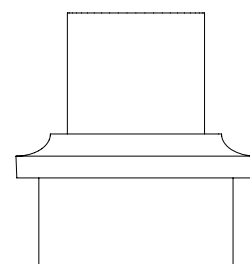
Warranty

1 Year

TENONS USED FOR POLE ATTACHMENT



3X4-T(C)
Used with a 4" pole



3X5-T(D)
Used with a 5" pole

ORDERING

ARM	POLE PROFILE	POLE DIAMETER	ARM MOUNTING	FINISH
DPA-HP			SO	
	S Smooth F Fluted	4 4" OD 5 5" OD	SO Slip Over Mount	BK Black DB Dark Bronze GN Dark Green