

Globe Holder 3X8-GH

SPECIFICATIONS

Material

Die Cast Aluminum Housing and Socket Plate

Globe

Uses 8" Globes

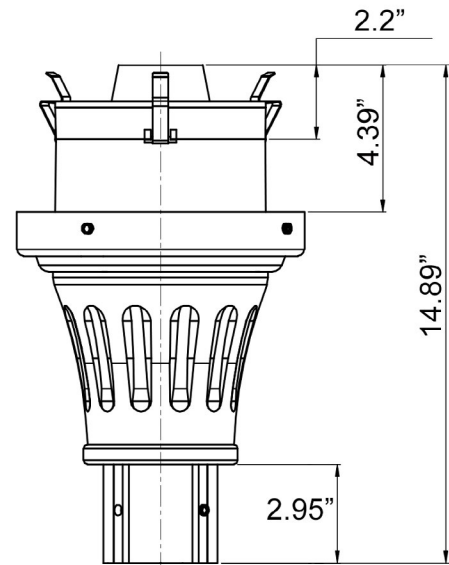
Socket

Accommodates Medium or Mogul Socket

Poles

Fits 3" poles or tenons. Fits in 4" thin-walled poles (Consult Factory).

DIMENSIONS



ORDERING

GLOBE HOLDER COLORS LAMP TYPE QUANTITY

3X8-GH

BK Black	MED Medium Socket Only
GN Dark Green	MOG Mogul Socket Only
DB Dark Bronze	NONE No Socket