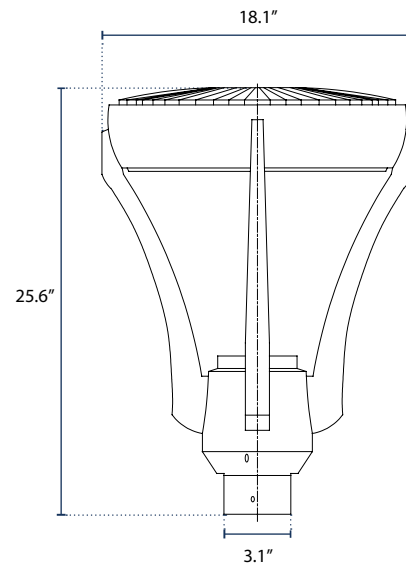


**H-01**  
POST TOP



RESPONSIBLE SKY  
100% DOWNLIGHT



**SPECIFICATIONS**

**Casting**

Die Cast Aluminum

**Post Top EPA**

1.22 ft<sup>2</sup>

**Driver**

Meanwell

**LED's**

Available Upon Request

**Finish**

Polyester Powder-Coat  
Electrostatically  
Applied & Thermocured

**Mounting**

3.1" Inside Diameter

**Post Top**

Height: 25.6"  
Width: 18.1"

**Pole**

Fits all Brandon Industries 3"  
and 4" poles and 5" poles with  
a tenon

**Lamp Type**

Integrated LED Board

**Voltage**

120-277V

**CRI**

>70

**Distribution**

Type IV & Type V

**Efficiency**

90-110 lm/W

**ORDERING**

POST TOP	CCT	WATTAGE	OPTICS	FINISH	OPTIONS
<b>H-01</b>	<b>3000K</b> <b>4000K</b> <b>5000K</b>	<b>50W</b> <b>80W</b>	<b>TYPE IV</b> <b>TYPE V</b>	<b>BK</b> Semi Gloss Black <b>DB</b> Textured Dark Bronze	- None <b>P</b> Photocell