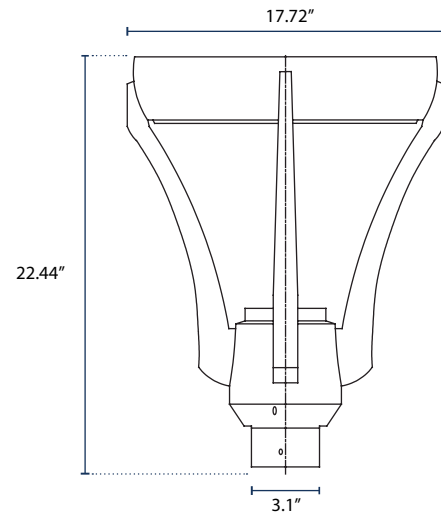


H-01S

SOLAR POST TOP



SPECIFICATIONS

Casting

Die Cast Aluminum

Post Top EPA

1.22 ft²

Battery

Capacity: 256 Wh
 Autonomy: 24 hrs w/Full Charge
 Charging Time: 6-7 hrs
 Working Temp: -10°C to 70°C

Finish

Polyester Powder-Coat
 Electrostatically
 Applied & Thermocured

Mounting

3.1" Inside Diameter

Dimensions

Height: 22.44"
 Width: 17.72"

Pole

Fits all Brandon Industries 3"
 and 4" poles and 5" with a tenon

Energy

Solar Panel: 33 Watts

CRI

>70

Distribution

Type V

Efficiency

196 lm/W

Certifications

IP65 / CE / DARK SKY

Operating Schedule

Sunset	Night	Sunrise
2h	10h	2h

100% Light Output

30% Continuous Light Output +
 Motion Activated to 100% Output

*Contact us for more program options

ORDERING

POST TOP

H-01S

CCT

4000K

4000K

WATTAGE

14W

14W

OPTICS

Type V

Type V

FINISH

BK

BK Semi Gloss Black