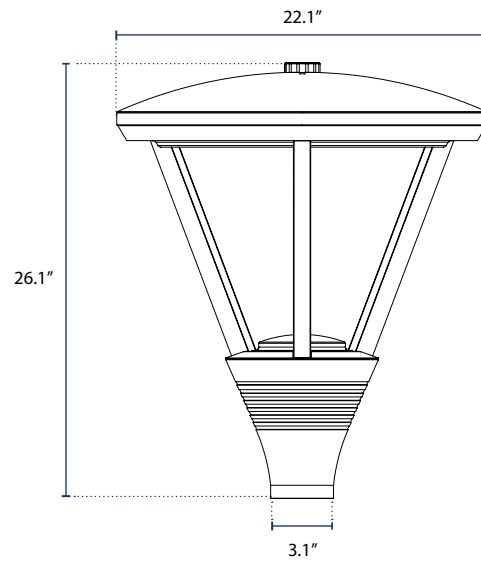


# PT-M11

POST TOP



## SPECIFICATIONS

### Casting

Die Cast Aluminum

### Post Top EPA

0.89 ft<sup>2</sup>

### Driver

Meanwell

### LED's

Available Upon Request

### Finish

Polyester Powder-Coat  
Electrostatically  
Applied & Thermocured

### Mounting

3" Inside Diameter

### Post Top

LED  
Height: 26.1"  
Width: 22.1"

### Pole

Fits all Brandon Industries 3"  
and 4" poles and 5" poles with  
a tenon

### Voltage

120-240/277V

### CRI

>70

### Distribution

Type IV & Type V

### Efficiency

90-110 lm/W

## ORDERING

POST TOP	LAMP TYPE	CCT	WATTAGE	VOLTAGE	OPTICS	MOUNTING	FINISH
<b>PT-M11</b>	<b>INTEGRATED LED BOARD</b>			<b>100-277V</b>		<b>POLE/TENON</b>	
		<b>3000K</b>	<b>70W</b>		<b>TYPE IV</b>		<b>BK</b> Semi Gloss Black
		<b>4000K</b>	<b>100W</b>		<b>TYPE V</b>		<b>DB</b> Textured Dark Bronze
		<b>5000K</b>	<b>120W</b>				