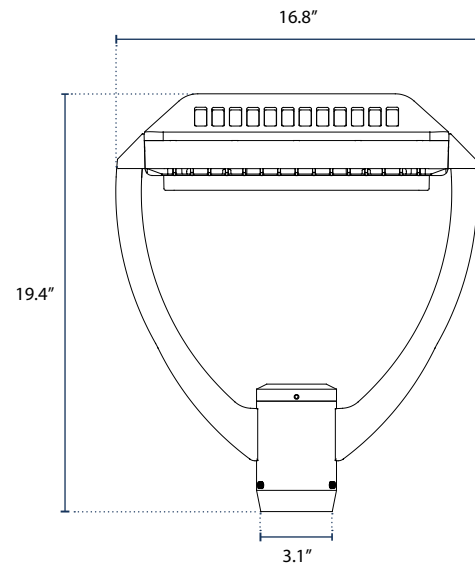


# PT-M4

POST TOP



## SPECIFICATIONS

### Casting

Die Cast Aluminum

### Driver

Meanwell

### LED's

Available Upon Request

### Finish

Polyester Powder-Coat  
Electrostatically  
Applied & Thermocured

### Mounting

3" Inside Diameter

### Post Top

LED  
Height: 19.4"  
Width: 16.8"

### Pole

Fits all Brandon Industries 3"  
and 4" poles and 5" poles with  
a tenon

### Voltage

120-277V

### CRI

>70

### Distribution

90°

### Efficiency

100-120 lm/W

## ORDERING

POST TOP	LAMP TYPE	CCT	WATTAGE	VOLTAGE	OPTICS	MOUNTING	FINISH
PT-M4	INTEGRATED LED BOARD			100-277V	90°	POLE/TENON	
		3000K	70W				BK Semi Gloss Black
		4000K	100W				DB Textured Dark Bronze
		5000K	120W				