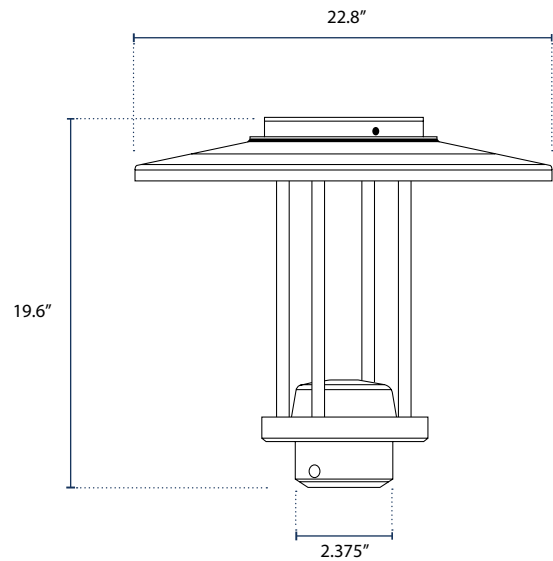


PT-M5

POST TOP



SPECIFICATIONS

Casting

Die Cast Aluminum

Driver

Meanwell

LED's

Available Upon Request

Finish

 Polyester Powder-Coat
 Electrostatically
 Applied & Thermocured

Mounting

2.375" Inside Diameter

Post Top

 LED
 Height: 19.6"
 Width: 22.8"

Pole

 Fits all Brandon Industries 3"
 and 4" poles with a tenon

Voltage

120-277V

CRI

>70

Distribution

Type V

Efficiency

90-110 lm/W

ORDERING

POST TOP	LAMP TYPE	CCT	WATTAGE	VOLTAGE	OPTICS	MOUNTING	FINISH
PT-M5	INTEGRATED LED BOARD			120-277V	Type V	POLE/TENON	
		3000K	35W				BK Semi Gloss Black
		4000K	50W				DB Textured Dark Bronze
		5000K					