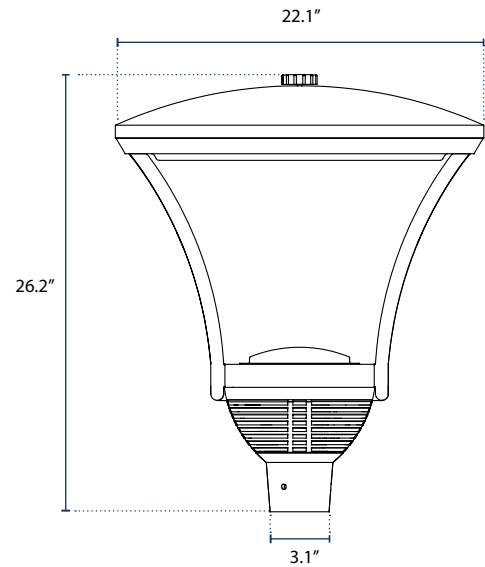


**PT-M8**  
POST TOP



**SPECIFICATIONS**

**Casting**

Die Cast Aluminum

**Driver**

Meanwell

**LED's**

Available Upon Request

**Finish**

Polyester Powder-Coat  
Electrostatically  
Applied & Thermocured

**Mounting**

3" Inside Diameter

**Post Top**

LED  
Height: 26.2"  
Width: 22.1"

**Pole**

Fits all Brandon Industries 3"  
and 4" poles and 5" poles with  
a tenon

**Voltage**

120-277V

**CRI**

>70

**Distribution**

Type IV & Type V

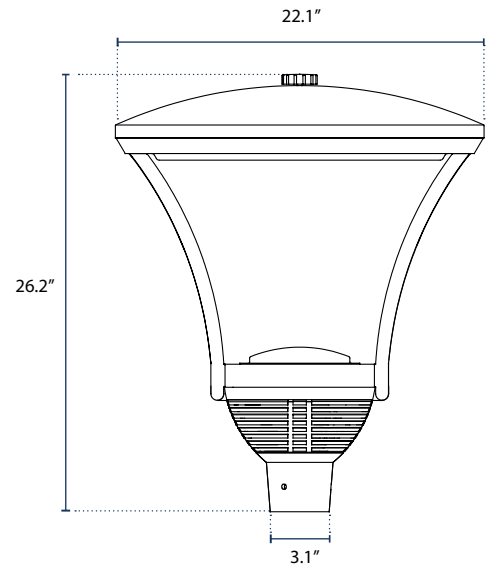
**Efficiency**

90-110 lm/W

**ORDERING**

POST TOP	LAMP TYPE	CCT	WATTAGE	VOLTAGE	OPTICS	MOUNTING	FINISH
PT-M8	INTEGRATED LED BOARD			100-277V		POLE/TENON	
		3000K	30W		TYPE IV		BK Semi Gloss Black
		4000K	45W		TYPE V		DB Textured Dark Bronze
		5000K	60W				

**PT-M9**  
POST TOP



**SPECIFICATIONS**

**Casting**

Die Cast Aluminum

**Driver**

Meanwell

**LED's**

Available Upon Request

**Finish**

Polyester Powder-Coat  
Electrostatically  
Applied & Thermocured

**Mounting**

3" Inside Diameter

**Post Top**

LED  
Height: 26.2"  
Width: 22.1"

**Pole**

Fits all Brandon Industries 3"  
and 4" poles and 5" poles with  
a tenon

**Voltage**

100-277V

**CRI**

>70

**Distribution**

Type IV & Type V

**Efficiency**

90-110 lm/W

**ORDERING**

POST TOP	LAMP TYPE	CCT	WATTAGE	VOLTAGE	OPTICS	MOUNTING	FINISH
PT-M9	INTEGRATED LED BOARD			100-277V		POLE/TENON	
		3000K	70W		TYPE IV TYPE V		BK Semi Gloss Black DB Textured Dark Bronze
		4000K	80W				
		5000K	100W				
			120W				