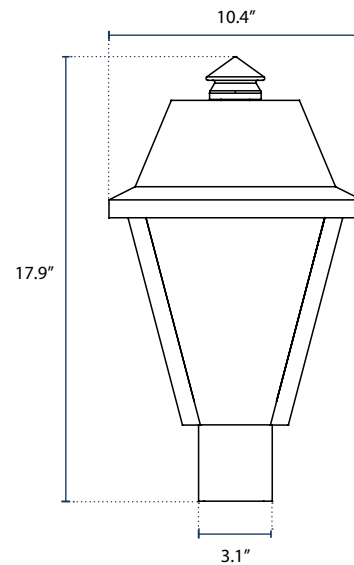


PT-T8
POST TOP



SPECIFICATIONS

Casting

Stainless Steel

Finish

Polyester Powder-Coat
Electrostatically
Applied & Thermocured

Post Top

LED
Height: 17.9"
Width: 10.4"

Voltage

100-277V

Driver

Meanwell

CRI

>70

LED's

Available Upon Request

Mounting

3.1" Inside Diameter

Pole

Fits all Brandon Industries 3"
and 4" poles and 5" poles with
a tenon

Distribution

Type IV & Type V

Efficiency

90-110 lm/W

ORDERING

POST TOP	LAMP TYPE	CCT	WATTAGE	VOLTAGE	OPTICS	MOUNTING	FINISH
PT-T8	INTEGRATED LED BOARD	3000K 4000K 5000K	25W 35W	100-277V	TYPE IV TYPE V	POLE/TENON	BK Semi Gloss Black DB Textured Dark Bronze