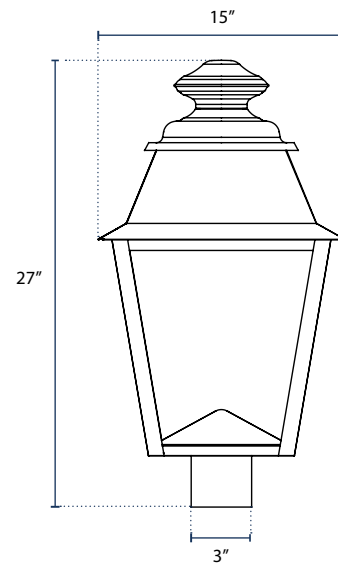


PT-T9

POST TOP



SPECIFICATIONS

Casting

Stainless Steel

Finish

 Polyester Powder-Coat
 Electrostatically
 Applied & Thermocured

Post Top

 LED
 Height: 27"
 Width: 15"

Voltage

100-277V

Driver

Meanwell

Mounting

3.1" Inside Diameter

Pole

 Fits all 3", 4", and 5" Brandon
 Industries Base and Poles

CRI

>70

LED's

Available Upon Request

Distribution

Type IV & Type V

ORDERING

POST TOP	LAMP TYPE	CCT	WATTAGE	VOLTAGE	OPTICS	MOUNTING	FINISH	OPTIONS
PT-T9	INTEGRATED LED BOARD			100-277V		POLE/TENON		
		3000K	60W		TYPE IV TYPE V		BK Semi Gloss Black	- None
		4000K	80W			DB Textured Dark Bronze	P Photocell	
		5000K	120W			L Lensing		