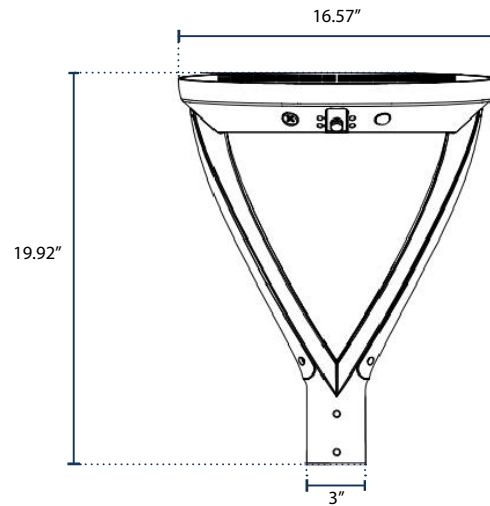


PTS-SL30TS

POST TOP



SPECIFICATIONS

Post Top EPA

1.15 ft²

Height

19.92"

Width

16.57"

Color

Black

CCT (Field Selectable)

3000K

4000K

5000K

Wattage

10 watts

Weight

8.8 lbs

Battery

LiFePO4

Battery Capacity: 57.6 Wh

Solar Panel Wattage: 20 W

Charging Time: >5.4 Hours

Operating Temps: 0°C to 50°C

Efficiency

170 lm/w

Operating Times

Default (AUTO): 1 day

Full brightness working mode:
1 day

Half brightness working mode:
2 days

Motion working mode: 3-5 days

OPERATING SCHEDULE

