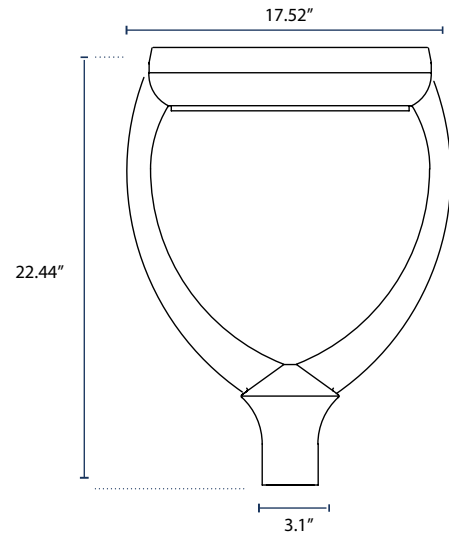


**S-02S**  
SOLAR POST TOP



**SPECIFICATIONS**

**Casting**

Die Cast Aluminum

**Post Top EPA**

1.20 ft<sup>2</sup>

**Battery**

Capacity: 256 Wh  
Autonomy: 24 hrs w/Full Charge  
Charging Time: 6-7 hrs  
Working Temp: -10°C to 70°C

**Finish**

Polyester Powder-Coat  
Electrostatically  
Applied & Thermocured

**Mounting**

3.1" Inside Diameter

**Dimensions**

Height: 22.44"  
Width: 17.52"

**Pole**

Fits all Brandon Industries 3"  
and 4" poles and 5" with a tenon

**Energy**

Solar Panel: 33 Watts

**CRI**

>70

**Distribution**

Type V

**Efficiency**

196 lm/W

**Certifications**

IP65 / CE / DARK SKY

**Operating Schedule**

| Sunset | Night | Sunrise |
|--------|-------|---------|
| 2h     | 10h   | 2h      |

100% Light Output

30% Continuous Light Output +  
Motion Activated to 100% Output

\*Contact us for more program options

**ORDERING**

POST TOP

**S-02S**

CCT

**4000K**

**4000K**

WATTAGE

**14W**

**14W**

OPTICS

**Type V**

**Type V**

FINISH

**BK**

**BK Semi Gloss Black**