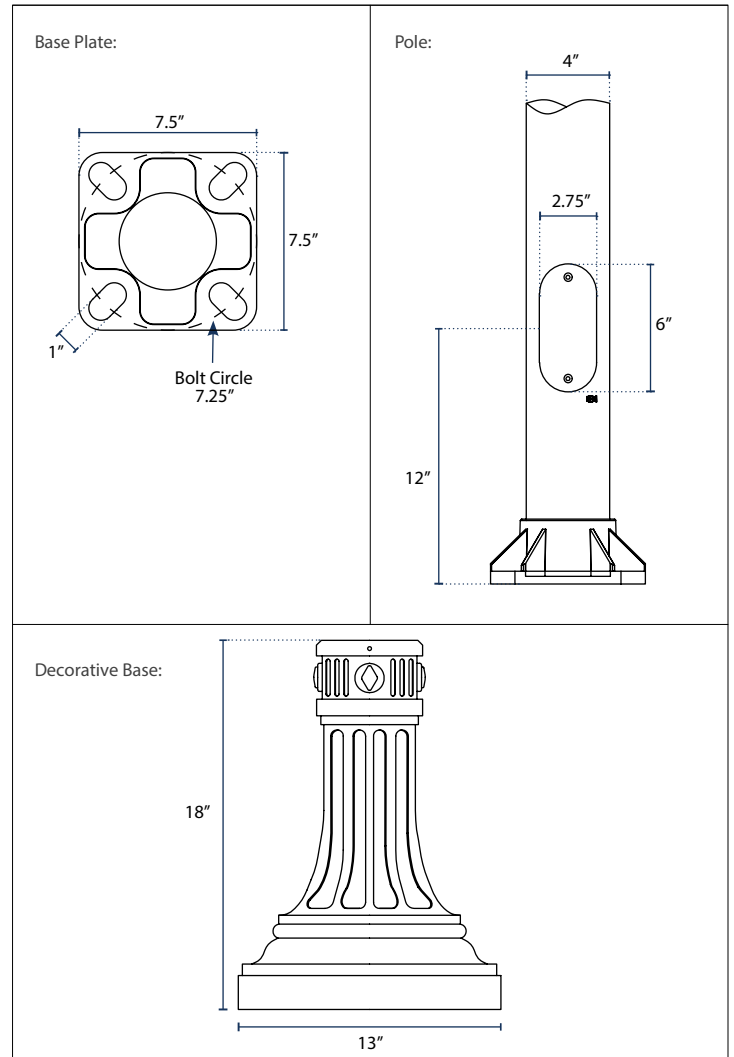


SM-S4-SB-64

ANCHOR BASE AND POLE



DIMENSIONS



SPECIFICATIONS

Base Two-Piece Base Height: 18" Width: 13"	Pole 4" OD Straight Round Aluminum Heights: 10', 11', 12', 13', and 14'
Base Footprint Circular base pattern requiring four (4) 3/4" anchor bolts	Finish Polyester Powder-Coat Electrostatically Applied & Thermocured
Warranty 1-Year	

ORDERING

BASE	POLE TYPE	POLE DIAMETER	POLE HEIGHT (FT.)	FINISH	DECORATIVE BASE
SM	S	4			SB-64
	S Smooth	4 4" Outside Diameter	10 11 12 13 14	BK Black DB Dark Bronze GN Dark Green	SB-64 Two-Piece Base



SM-S4-SB-64

ANCHOR BASE AND POLE

EPA DATA - ANCHOR POLE AND BASE

Maximum Allowable Effective Projected Area (EPA) for wind speed 2015 AASHTO

PRODUCT	POLE			ANCHOR		LUMINAIRE WEIGHT Max Weight	MAX EPA - POST TOP FIXTURE (FT ²) WIND SPEED - MPH					
	OD	Wall	Length	Qty	Dia		90	100	110	120	130	140

STRAIGHT POLE

SM-S4X10	4"	.125"	10'0"	4	3/4"	100	11.4	8.9	7.0	5.6	4.6	3.7
SM-S4X11	4"	.125"	11'0"	4	3/4"	95	10.0	7.7	6.0	4.7	3.8	3.0
SM-S4X12	4"	.125"	12'0"	4	3/4"	95	8.6	6.5	5.0	3.9	3.0	2.3
SM-S4X13	4"	.125"	13'0"	4	3/4"	80	7.6	5.7	4.3	3.2	2.4	1.8
SM-S4X14	4"	.125"	14'0"	4	3/4"	70	6.6	4.9	3.6	2.6	1.9	1.3

NOTES

1. Effective Projected Area (EPA) in square feet. EPA's calculated using wind velocity (mph) indicated in accordance with 2015 AASHTO LRFD (7th Edition) using a 50-year design life.
2. Maximum EPA is based on the luminaire weight shown. Increased luminaire weight may reduce maximum EPA. If weight is exceeded, or if other design life or code is required, please consult the factory.