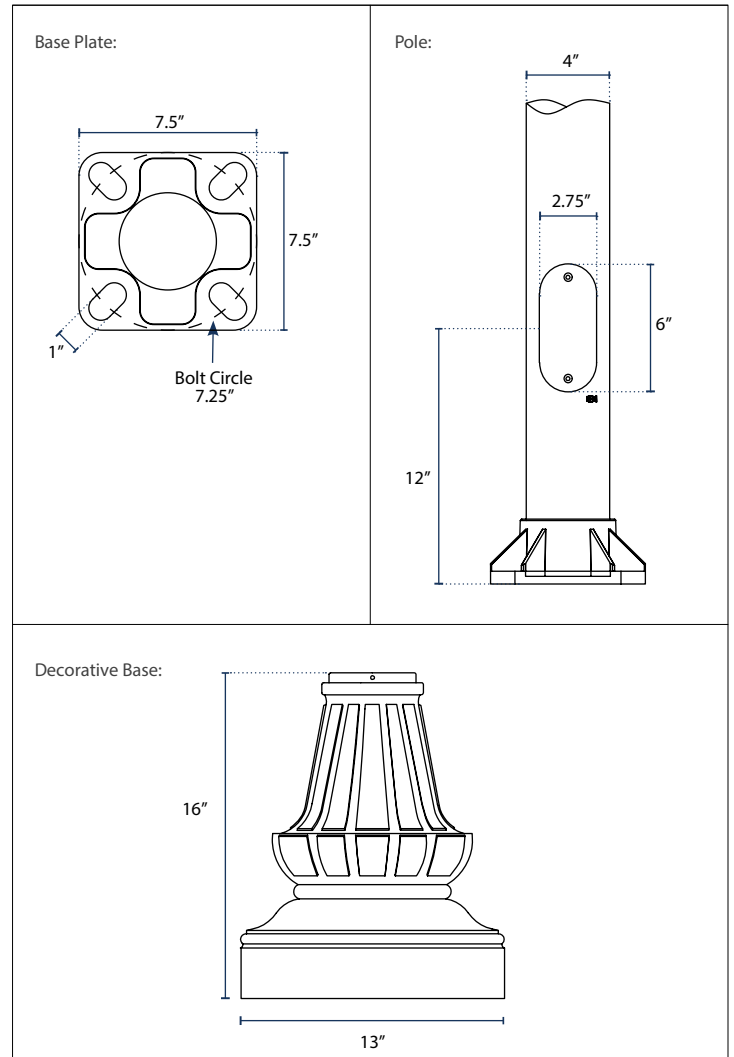


# SM-S4-SB-94

ANCHOR BASE AND POLE



## DIMENSIONS



## SPECIFICATIONS

<b>Base</b> Two-Piece Base Height: 16" Width: 13"	<b>Pole</b> 4" OD Straight Round Aluminum Heights: 10', 11', 12', 13', and 14'
<b>Base Footprint</b> Circular base pattern requiring four (4) 3/4" anchor bolts	<b>Finish</b> Polyester Powder-Coat Electrostatically Applied & Thermocured
<b>Warranty</b> 1-Year	

## ORDERING

BASE	POLE TYPE	POLE DIAMETER	POLE HEIGHT (FT.)	FINISH	DECORATIVE BASE
<b>SM</b>	<b>S</b>	<b>4</b>			<b>SB-94</b>
	<b>S</b> Smooth	<b>4</b> 4" Outside Diameter	<b>10</b> <b>11</b> <b>12</b> <b>13</b> <b>14</b>	<b>BK</b> Black <b>DB</b> Dark Bronze <b>GN</b> Dark Green	<b>SB-94</b> Two-Piece Base



# SM-S4-SB-94

ANCHOR BASE AND POLE

## EPA DATA - ANCHOR POLE AND BASE

Maximum Allowable Effective Projected Area (EPA) for wind speed 2015 AASHTO

PRODUCT	POLE			ANCHOR		LUMINAIRE WEIGHT Max Weight	MAX EPA - POST TOP FIXTURE (FT <sup>2</sup> ) WIND SPEED - MPH					
	OD	Wall	Length	Qty	Dia		90	100	110	120	130	140

### STRAIGHT POLE

SM-S4X10	4"	.125"	10'0"	4	3/4"	100	11.4	8.9	7.0	5.6	4.6	3.7
SM-S4X11	4"	.125"	11'0"	4	3/4"	95	10.0	7.7	6.0	4.7	3.8	3.0
SM-S4X12	4"	.125"	12'0"	4	3/4"	95	8.6	6.5	5.0	3.9	3.0	2.3
SM-S4X13	4"	.125"	13'0"	4	3/4"	80	7.6	5.7	4.3	3.2	2.4	1.8
SM-S4X14	4"	.125"	14'0"	4	3/4"	70	6.6	4.9	3.6	2.6	1.9	1.3

### NOTES

1. Effective Projected Area (EPA) in square feet. EPA's calculated using wind velocity (mph) indicated in accordance with 2015 AASHTO LRFD (7th Edition) using a 50-year design life.
2. Maximum EPA is based on the luminaire weight shown. Increased luminaire weight may reduce maximum EPA. If weight is exceeded, or if other design life or code is required, please consult the factory.