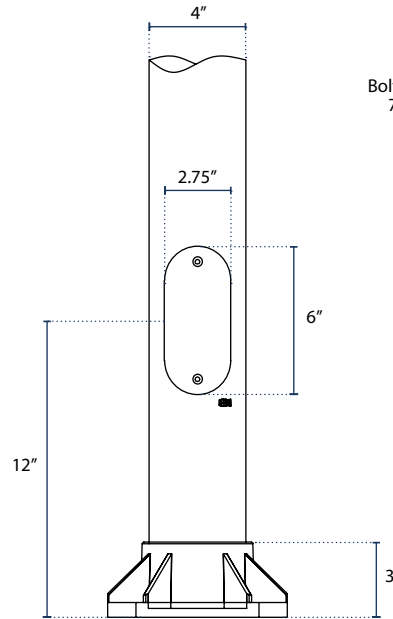


# SM-S4

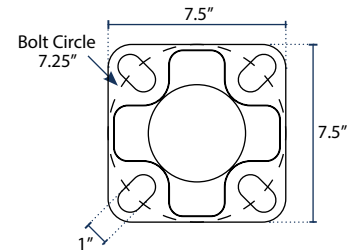
ANCHOR BASE AND POLE

## DIMENSIONS

Pole:



Base Plate:



## SPECIFICATIONS

### Base

Anchor Base Plate  
Two-Piece Base Cover included (See the second page for details on the two-piece base cover dimensions)

### Base Footprint

Circular base pattern requiring four (4) 3/4" anchor bolts

### Pole

4" OD Straight Round Aluminum  
Available Heights: 10', 11', 12', 13', and 14'

### Warranty

1-Year

### Finish

Polyester Powder-Coat  
Electrostatically Applied & Thermocured

## ORDERING

BASE	POLE TYPE	POLE DIAMETER	POLE HEIGHT (FT.)	FINISH
<b>SM</b>	<b>S</b>	<b>4</b>		
	<b>S</b> Smooth	<b>4</b> 4" Outside Diameter	<b>10</b>	<b>BK</b> Black
			<b>11</b>	<b>DB</b> Dark Bronze
			<b>12</b>	<b>GN</b> Dark Green
			<b>13</b>	
			<b>14</b>	

**EPA DATA - POLE AND BASE**

Maximum Allowable Effective Projected Area (EPA) for wind speed 2015 AASHTO

PRODUCT	POLE			ANCHOR		LUMINAIRE WEIGHT Max Weight	MAX EPA - POST TOP FIXTURE (FT <sup>2</sup> ) WIND SPEED - MPH					
	OD	Wall	Length	Qty	Dia		90	100	110	120	130	140

**STRAIGHT POLE**

SM-S4X10	4"	.125"	10'0"	4	3/4"	100	11.4	8.9	7.0	5.6	4.6	3.7
SM-S4X11	4"	.125"	11'0"	4	3/4"	95	10.0	7.7	6.0	4.7	3.8	3.0
SM-S4X12	4"	.125"	12'0"	4	3/4"	95	8.6	6.5	5.0	3.9	3.0	2.3
SM-S4X13	4"	.125"	13'0"	4	3/4"	80	7.6	5.7	4.3	3.2	2.4	1.8
SM-S4X14	4"	.125"	14'0"	4	3/4"	70	6.6	4.9	3.6	2.6	1.9	1.3

**NOTES**

1. Effective Projected Area (EPA) in square feet. EPA's calculated using wind velocity (mph) indicated in accordance with 2015 AASHTO LRFD (7th Edition) using a 50-year design life.
2. Maximum EPA is based on the luminaire weight shown. Increased luminaire weight may reduce maximum EPA. If weight is exceeded, or if other design life or code is required, please consult the factory.

**BASE COVER DIMENSIONS**
