



BRANDON[®]
INDUSTRIES

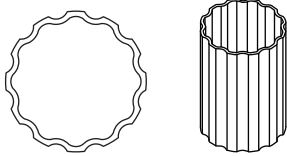
1601 Wilmeth Road
McKinney, Texas 75069
Phone: 972.542.3000
Toll Free: 800.247.1274
brandonindustries.com

Complete Sign Unit

made from the following parts:

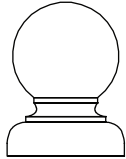
POLE:

PART# SPF5X12
5" x 12" FLUTED POLE
WALL THICKNESS .188"



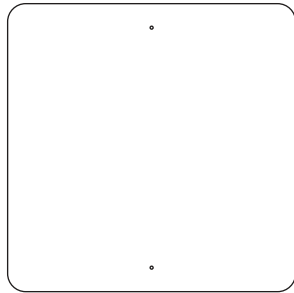
FINIAL:

PART# FIN-B5
BALL FINIAL
HEIGHT: 7"
WIDTH: 5.5"



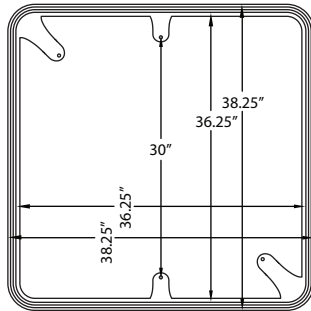
SIGNS:

PART# SIGN3636S
36" x 36"



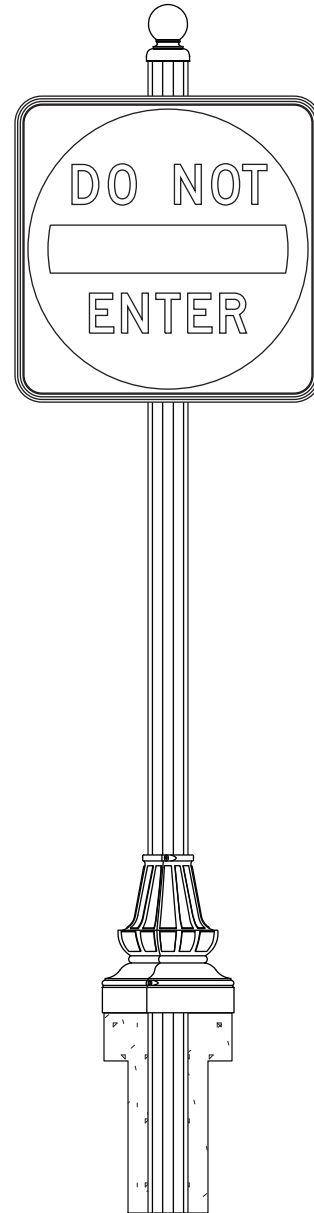
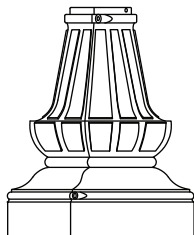
TRIMS:

PART# TS3636
FOR 36" x 36" SIGN



BASE:

PART# 2PCL8-5
TWO-PIECE BASE
HEIGHT: 18.2"
WIDTH: 16.5"



NOTES:
COMPLETE UNIT SHOWN WITH 2' BELOW GRADE BURIAL. FOUNDATION SHOULD BE DESIGNED TO MEET LOCAL CODES AND THE REQUIREMENTS OF SOIL CONDITIONS. DRAWING FOR INFORMATION ONLY, NOT INTENDED FOR CONSTRUCTION PURPOSES.