

WILMINGTON-B1

Bench with Back

SPECIFICATIONS

Base

Available in 4', 6', and 8' lengths

Finish

Cast aluminum frame with powder coated finish
All MIG welded

More:

Bolt together design
All stainless steel hardware
Available in vertical or horizontal slats
Portable (P) and/or surface mount (SM)

DIMENSIONS

Dimensions shown on next page.



ORDERING

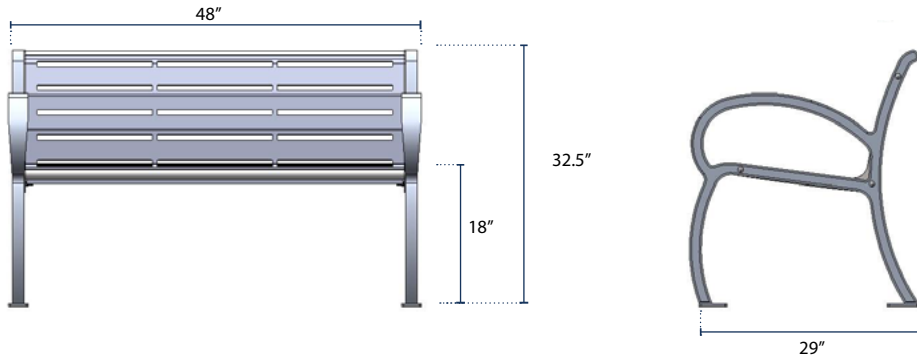
BASE	LENGTH	MOUNT	COLOR	SLATS	QUANTITY
974-PREMIUM					
	4 4ft	P Portable	BK Black	V Vertical	
	6 6ft	SM Surface Mount	BM Black Matte	H Horizontal	
	8 8ft		GN Dark Green		
			BR Brown		
			CC Custom Color		

WILMINGTON-B1

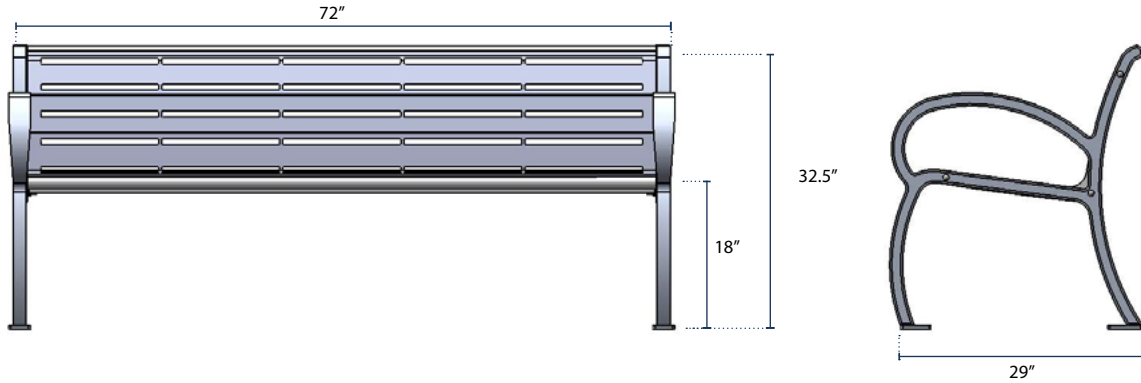
Bench with Back

DIMENSIONS

4FT Dimensions



6FT Dimensions



8FT Dimensions

